

Rittal – The System.

Faster – better – everywhere.

Digital Brochure

ENCLOSURES

POWER DISTRIBUTION

CLIMATE CONTROL

IT INFRASTRUCTURE

SOFTWARE & SERVICES

FRIEDHELM LOH GROUP

www.rittal.ca



TS 8 Floormount Enclosure



System accessories Page 421 TS 8 floormount enclosure IP 66/NEMA 4X Page 178

Material and surface finish:

- Enclosure frame: Carbon steel, 1.5 mm, dipcoat-primed
- Roof: Carbon steel, 1.5 mm, dipcoat-primed, powder-coated on the outside, textured paint
- Door: Carbon steel, 2 mm, dipcoat-primed, powder-coated on the outside, textured paint
- Rear wall: Carbon steel, 2 mm, dipcoat-primed, powder-coated on the outside, textured paint
- Sidewalls: Carbon steel, 1.5 mm, dipcoat-primed, powder-coated on the outside, textured paint
- Base plate: Carbon steel, 1.5 mm, zinc-plated
- Mounting plate: Carbon steel, 3 mm, zinc-plated
- Pedestals: Carbon steel, 3 mm, dipcoat-primed, powder-coated on the outside, textured paint

Color:

- RAL 7035

Protection category:

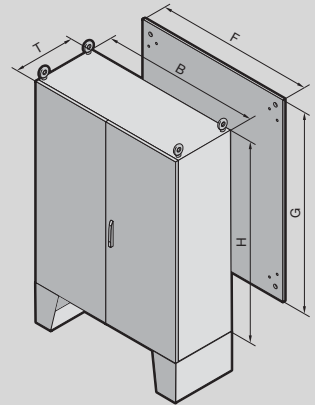
- UL/cUL Type 12 (IP 55 to IEC 60 529)
- UL file #: E76083

Supply includes:

- Enclosure frame with door(s)
- Roof plate
- Base plate, one-piece
- Rear wall
- Sidewalls
- Mounting plate
- Pedestals 300 mm, screw-fastening kit
- 4 transportation eyebolts
- Lock: Comfort handle with padlock and push-button insert, lockable, incl. key

Technical details:

Available on the Internet



Height: 63" (1600 mm), depth: 12 – 16" (300 – 400 mm)

Height (H) inches (mm)	Packs of	63 (1600)	63 (1600)	63 (1600)	Page
Width (B) inches (mm)		47 (1200)	47 (1200)	63 (1600)	
Depth (T) inches (mm)		12 (300)	16 (400)	16 (400)	
Mounting plate height (G) inches (mm)		59 (1496)	59 (1496)	59 (1496)	
Mounting plate width (F) inches (mm)		43 (1099)	43 (1099)	59 (1499)	
Model No.	1 pc(s).	8018.795	8018.799	8018.800	
Model No. US		TSFM634712NC	TSFM634716NC	TSFM636316NC	
Weight lb (kg)		352 (160)	359 (163)	459 (209)	
Accessories					
Cable Clamp Rails	2 pc(s).	4196.000	4196.000	4338.000	574
TS Support Strips	1 pc(s).	4596.000	4596.000	4598.000	525
Wiring Plan Pockets, Carbon Steel	1 pc(s).	4116.000	4116.000	4118.000	497
Lock Systems		from page	from page	from page	478